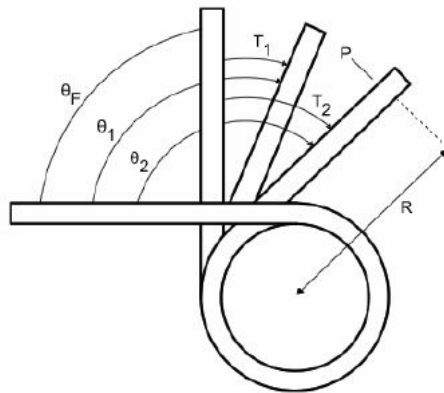
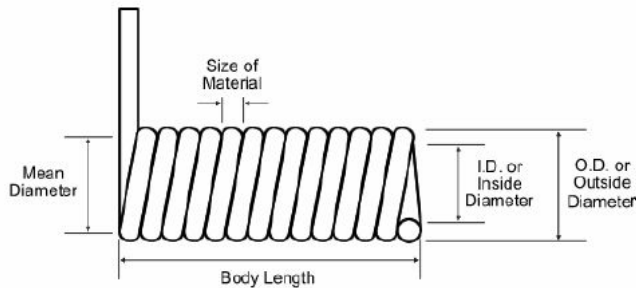


Torsion Springs—Specification Form



Name _____

Phone Number _____

Mandatory Specifications

(fill in only those required)

1. To work over _____ in. (mm) diameter shaft.

2. OUTSIDE DIAMETER

- a. _____ in. (mm) max. or
- b. _____ in. (mm) \pm _____ in. (mm)

3. INSIDE DIAMETER

- a. _____ in. (mm) min. or
- b. _____ in. (mm) \pm _____ in. (mm)

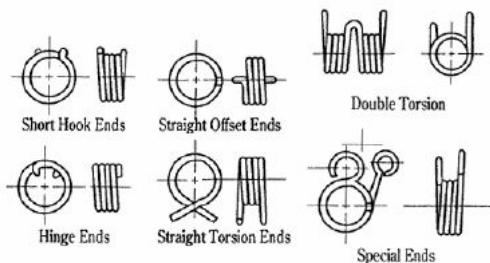
4. Length of space available _____ in. (mm)

5. Maximum wound position _____ turns or _____ $^{\circ}$ from free position.

6. Length of moment arm (R) _____ in. (mm)

7. Direction of helix (L, R, or optional) _____

8. Type of ends _____



Advisory Data

1. Wire diameter _____ in. (mm)

2. Mean coil diameter _____ in. (mm)

3. Number of coils _____

4. $\theta_F =$ _____ $^{\circ}$ free angle reference

Special Information

1. Type of material _____

2. Finish _____

3. End use or application _____

4. Other _____

Quantity Required: _____

Fill out this form and fax it to us at 604.530.7698